

# PC-648R

CEILING MOUNT SPEAKER

The PC-648R is a ceiling mount speaker with a resin panel and speaker frame. It features a spring clamp mechanism for easy speaker mounting to the ceiling. The input impedance can be easily changed by adjusting the tap position of the transformer.

---



Article number:PC-648R

---

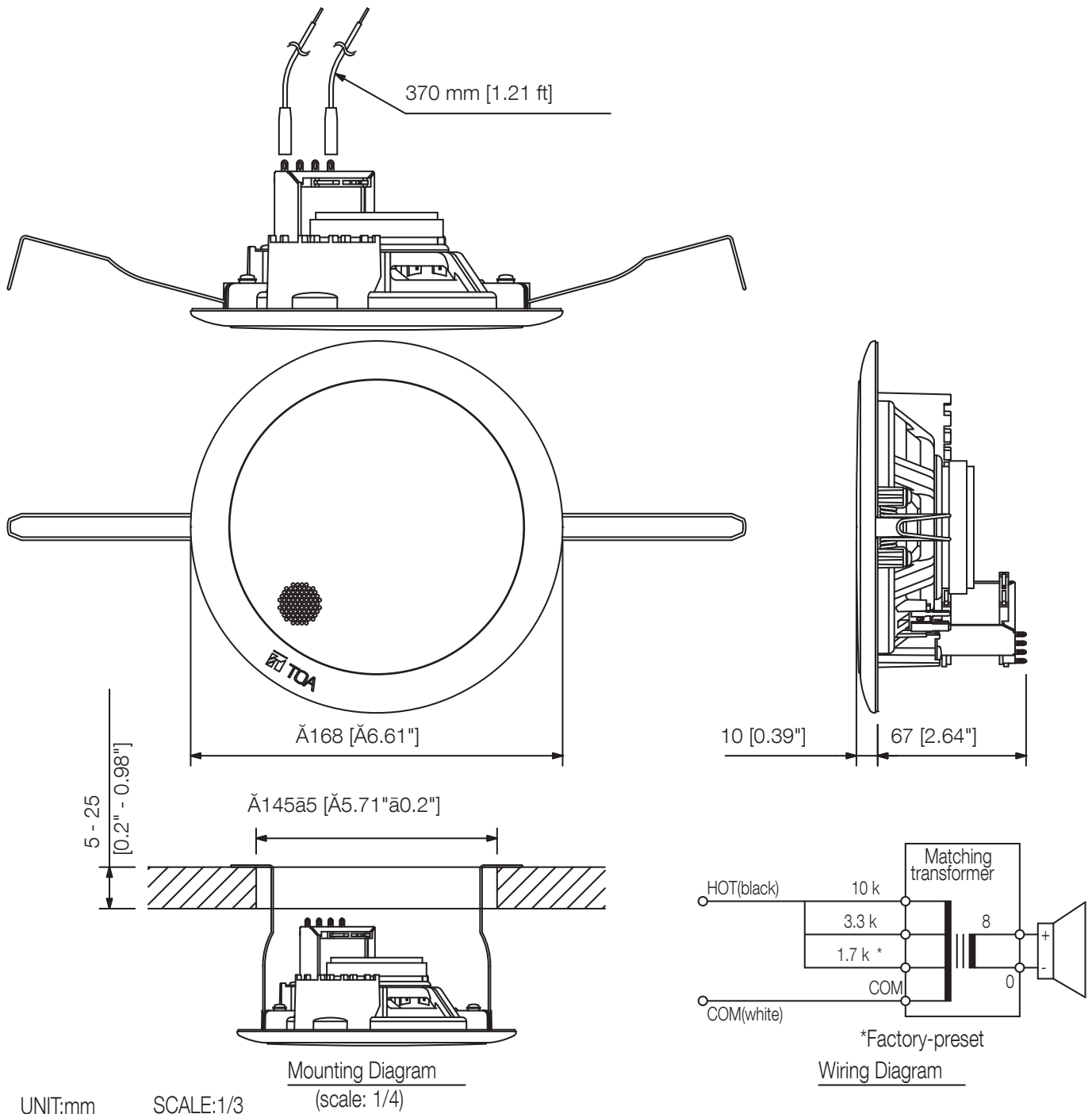
## Specifications

Dimensions (W x H x D)	x 77
Dimensions (ø x D)	168 x 77 mm
Finish	Polypropylene resin, off-white (RAL 9010 or equivalent),

# PC-648R

CEILING MOUNT SPEAKER

Appearance



UNIT:mm

SCALE:1/3